

Electric Winch Model: **CWG-10077**

PN: 152266 220V50Hz
151077 115V60Hz

Introduction

► Feature

- Lifting capacity: 300 kg wire rope top layer
- Lifting height: 58 m for 6 mm x 60 m rope
- Lifting speed: 12-19 m/min at 50Hz ; 14-21 m/min at 60Hz
- Brake: Electromagnetic spring-applied failsafe brake
- Control: Pendant switch powers the winch

► Unpacking

- Winch assembly 1pc
- Wire rope 6 mm x 60 m 1pc
- Weight hook CHW-0031 1pc
- Pendant switch w/cord 3.5 mm² x 5C x 3 m 1pc

► Read this manual carefully

You should carefully read and understand this manual before operating it. Careless winch operation may result in personal injury hazards or property damage.

► Information requesting or parts ordering

Please specify the followings information:

- Winch PN
- Serial number
- Part description
- Replacement part number
- Quantity for each part

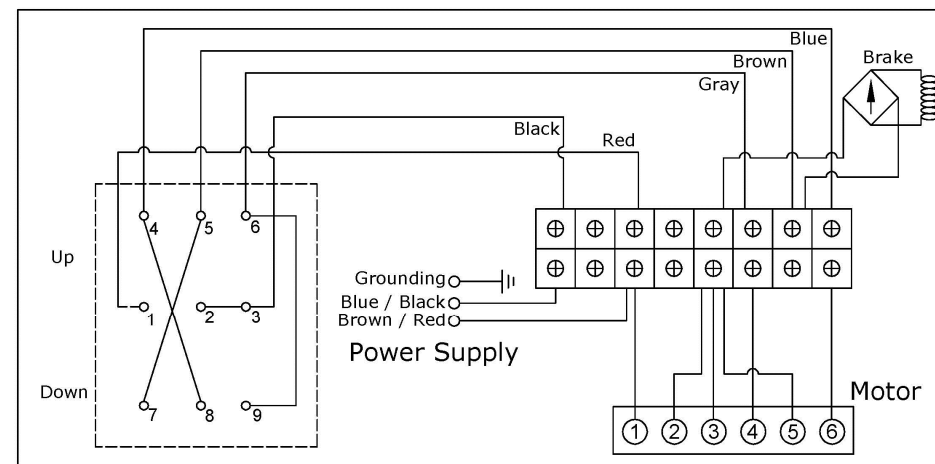
Installation

Before using the winch, make sure all electrical components have no corrosion or damaged; the environment should be clear and dry.

► Performance

Winch Model		CWG-10077							
Motor	kw x p	1.5 x 4							
Recommend Wire Rope	Size(mm)	6							
	Breaking (kg)	2,010							
1 st Layer	Rated Load (kg)	50Hz	467	Rated Load (kg)	50Hz	420	Rated Load (kg)	50Hz	382
	Speed (m/min)	60Hz	12	Speed (m/min)	60Hz	13.5	Speed (m/min)	60Hz	14.9
	Rope-Winding Cumulating Sum (m)	50Hz	14	Rope-Winding Cumulating Sum (m)	50Hz	15.5	Rope-Winding Cumulating Sum (m)	50Hz	17.1
2 nd Layer	Rated Load (kg)	50Hz	350	Rated Load (kg)	50Hz	323	Rated Load (kg)	50Hz	300
	Speed (m/min)	60Hz	16.2	Speed (m/min)	60Hz	17.6	Speed (m/min)	60Hz	19
	Rope-Winding Cumulating Sum (m)	50Hz	18.6	Rope-Winding Cumulating Sum (m)	50Hz	20.2	Rope-Winding Cumulating Sum (m)	50Hz	21
3 rd Layer	Rated Load (kg)	50Hz	350	Rated Load (kg)	50Hz	323	Rated Load (kg)	50Hz	300
	Speed (m/min)	60Hz	16.2	Speed (m/min)	60Hz	17.6	Speed (m/min)	60Hz	19
	Rope-Winding Cumulating Sum (m)	50Hz	18.6	Rope-Winding Cumulating Sum (m)	50Hz	20.2	Rope-Winding Cumulating Sum (m)	50Hz	21
4 th Layer	Rated Load (kg)	50Hz	350	Rated Load (kg)	50Hz	323	Rated Load (kg)	50Hz	300
	Speed (m/min)	60Hz	16.2	Speed (m/min)	60Hz	17.6	Speed (m/min)	60Hz	19
	Rope-Winding Cumulating Sum (m)	50Hz	18.6	Rope-Winding Cumulating Sum (m)	50Hz	20.2	Rope-Winding Cumulating Sum (m)	50Hz	21
5 th Layer	Rated Load (kg)	50Hz	350	Rated Load (kg)	50Hz	323	Rated Load (kg)	50Hz	300
	Speed (m/min)	60Hz	16.2	Speed (m/min)	60Hz	17.6	Speed (m/min)	60Hz	19
	Rope-Winding Cumulating Sum (m)	50Hz	18.6	Rope-Winding Cumulating Sum (m)	50Hz	20.2	Rope-Winding Cumulating Sum (m)	50Hz	21
6 th Layer	Rated Load (kg)	50Hz	350	Rated Load (kg)	50Hz	323	Rated Load (kg)	50Hz	300
	Speed (m/min)	60Hz	16.2	Speed (m/min)	60Hz	17.6	Speed (m/min)	60Hz	19
	Rope-Winding Cumulating Sum (m)	50Hz	18.6	Rope-Winding Cumulating Sum (m)	50Hz	20.2	Rope-Winding Cumulating Sum (m)	50Hz	21
Rope-Winding Cumulating Sum (m)		38		50		60		60	

► Wiring Diagram



Алматы (7273)495-231
Ангарск (3955)60-70-56
Архангельск (8182)63-90-72
Астрахань (8512)99-46-04
Барнаул (3852)73-04-60
Белгород (4722)40-23-64
Благовещенск (4162)22-76-07
Брянск (4832)59-03-52
Владивосток (423)249-28-31
Владикавказ (8672)28-90-48
Владимир (4922)49-43-18
Волгоград (844)278-03-48
Вологда (8172)26-41-59
Воронеж (473)204-51-73
Екатеринбург (343)384-55-89

Иваново (4932)77-34-06
Ижевск (3412)26-03-58
Иркутск (395)279-98-46
Казань (843)206-01-48
Калининград (4012)72-03-81
Калуга (4842)92-23-67
Кемерово (3842)65-04-62
Киров (8332)68-02-04
Коломна (4966)23-41-49
Кострома (4942)77-07-48
Краснодар (861)203-40-90
Красноярск (391)204-63-61
Курск (4712)77-13-04
Курган (3522)50-90-47
Липецк (4742)52-20-81

Магнитогорск (3519)55-03-13
Москва (495)268-04-70
Мурманск (8152)59-64-93
Набережные Челны (8552)20-53-41
Нижний Новгород (831)429-08-12
Новокузнецк (3843)20-46-81
Новосибирск (383)227-86-73
Омск (3812)21-46-40
Орел (4862)44-53-42
Оренбург (3532)37-68-04
Пенза (8412)22-31-16
Петрозаводск (8142)55-98-37
Псков (8112)59-10-37
Пермь (342)205-81-47

Ростов-на-Дону (863)308-18-15
Рязань (4912)46-61-64
Самара (846)206-03-16
Санкт-Петербург (812)309-46-40
Саратов (845)249-38-78
Севастополь (8692)22-31-93
Саранск (8342)22-96-24
Симферополь (3652)67-13-56
Смоленск (4812)29-41-54
Сочи (862)225-72-31
Ставрополь (8652)20-65-13
Сургут (3462)77-98-35
Сыктывкар (8212)25-95-17
Тамбов (4752)50-40-97
Тверь (4822)63-31-35

Тольятти (8482)63-91-07
Томск (3822)98-41-53
Тула (4872)33-79-87
Тюмень (3452)66-21-18
Ульяновск (8422)24-23-59
Улан-Удэ (3012)59-97-51
Уфа (347)229-48-12
Хабаровск (4212)92-98-04
Чебоксары (8352)28-53-07
Челябинск (351)202-03-61
Череповец (8202)49-02-64
Чита (3022)38-34-83
Якутск (4112)23-90-97
Ярославль (4852)69-52-93

Россия +7(495)268-04-70

Казахстан +7(7172)727-132

Киргизия +996(312)96-26-47

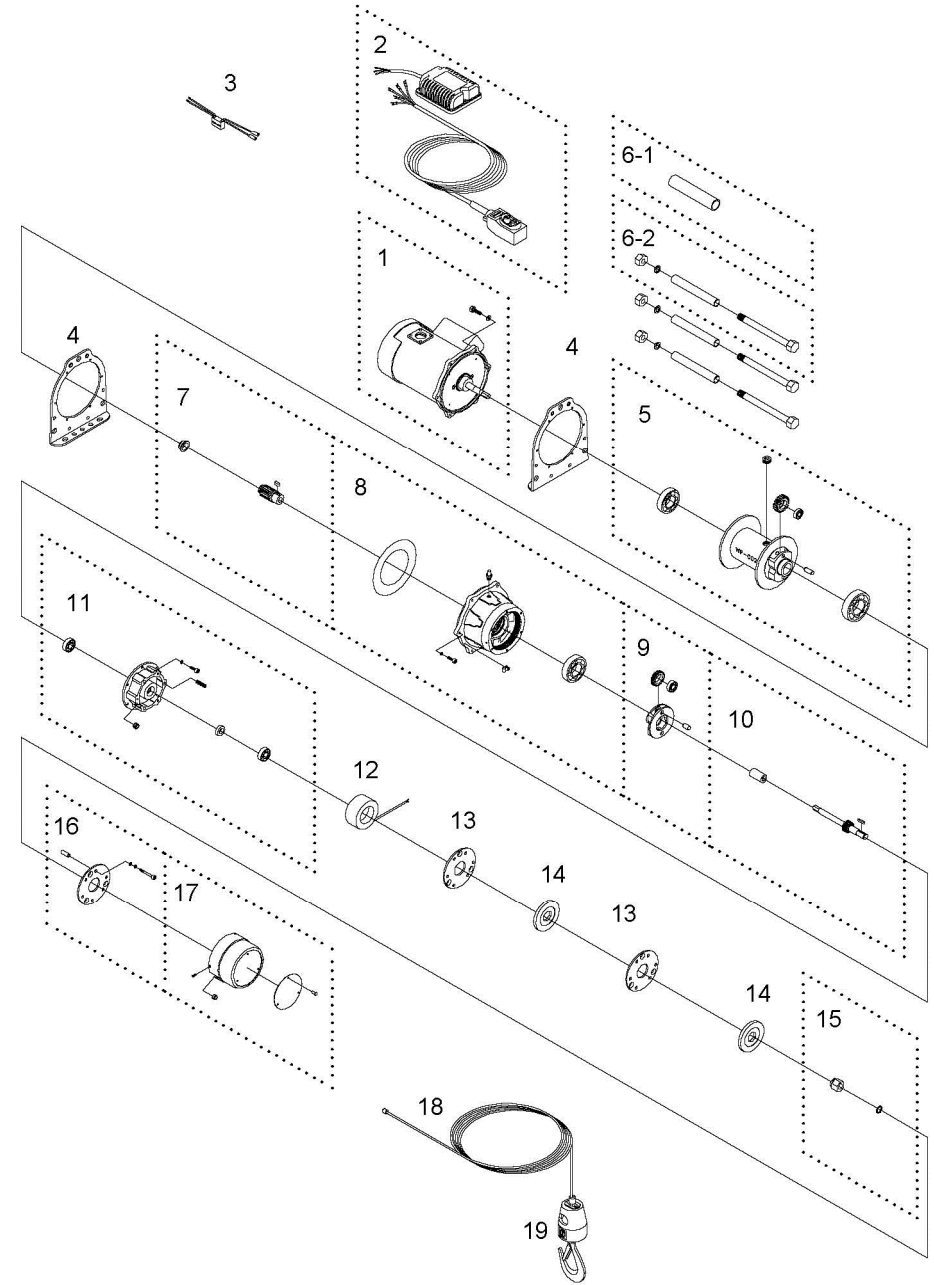
Warning

- The winch is not intended to be used in any manner for the movement or lifting of personnel.
- The lifting capacity shown is based on the top layer of rope on the drum.
- The rope winding on the drum shall remain 5 wraps from the drum.

Parts List

Item No.	Description	Part No.	Qty
1	Induction motor kit	880795	1
	Induction motor kit for 115V/60Hz	880794	1
2	Control kit	881324	1
3	Bridge rectifier	880368	1
4	Support bracket	880776	2
5	Drum kit	880777	1
6-1	Tie bar	881863	1
6-2	Tie bar kit	880778	3
7	2 nd shaft kit	880781	1
8	Gear box kit	880782	1
9	1 st stage carrier kit	880783	1
10	1 st shaft kit	880784	1
11	Conductor kit	880785	1
12	Brake coil	880786	1
13	Conductor plate A	880787	2
14	Brake disc	880379	2
15	Hex socket	880790	1
16	Conductor plate A kit	880788	1
17	Brake cover kit	880792	1
18	Wire rope 6 mm X 60 m	881328	1
19	Weight hook, CHW-0031	880384	1

Winch Assembly



Алматы (7273)495-231
 Ангарск (3955)60-70-56
 Архангельск (8182)63-90-72
 Астрахань (8512)99-46-04
 Барнаул (3852)73-04-60
 Белгород (4722)40-23-64
 Благовещенск (4162)22-76-07
 Брянск (4832)59-03-52
 Владивосток (423)249-28-31
 Владикавказ (8672)28-90-48
 Владимир (4922)49-43-18
 Волгоград (844)278-03-48
 Вологда (8172)26-41-59
 Воронеж (473)204-51-73
 Екатеринбург (343)384-55-89

Иваново (4932)77-34-06
 Ижевск (3412)26-03-59
 Иркутск (395)279-98-46
 Казань (843)206-01-48
 Калининград (4012)72-03-81
 Калуга (4842)92-23-67
 Кемерово (3842)65-04-62
 Киров (8332)68-02-04
 Копонга (4966)23-41-49
 Кострома (4942)77-07-48
 Краснодар (861)203-40-90
 Красноярск (391)204-63-61
 Курск (4712)77-13-04
 Курган (3522)50-90-47
 Липецк (4742)52-20-81

Россия +7(495)268-04-70

Магнитогорск (3519)55-03-13
 Москва (495)268-04-70
 Мурманск (8152)59-64-93
 Набережные Челны (8552)20-53-41
 Нижний Новгород (831)429-08-12
 Новокузнецк (3843)20-46-81
 Ноябрьск (3496)41-32-12
 Новосибирск (383)227-86-73
 Омск (3812)21-46-40
 Орел (4862)44-53-42
 Оренбург (3532)37-68-04
 Пенза (8412)22-31-16
 Петрозаводск (8142)55-98-37
 Псков (8112)59-10-37
 Пермь (342)205-81-47

Казахстан +7(7172)727-132

Ростов-на-Дону (863)308-18-15
 Рязань (4912)46-61-64
 Самара (848)206-03-16
 Санкт-Петербург (812)309-46-40
 Саратов (845)249-39-78
 Севастополь (8692)22-31-93
 Саранск (8342)22-96-24
 Симферополь (3652)67-13-56
 Смоленск (4812)29-41-54
 Сочи (862)225-72-31
 Ставрополь (8652)20-65-13
 Сургут (3462)77-98-35
 Сыктывкар (8212)25-95-17
 Тамбов (4752)50-40-97
 Тверь (4822)63-31-35

Киргизия +996(312)96-26-47

Тольятти (8482)63-91-07
 Томск (3822)98-41-53
 Тула (4872)33-79-87
 Тюмень (3452)68-21-18
 Ульяновск (8422)24-23-59
 Улан-Уда (3012)59-97-51
 Уфа (347)229-48-12
 Хабаровск (4212)92-98-04
 Чебоксары (8352)28-53-07
 Челябинск (351)202-03-61
 Череповец (8202)49-02-64
 Чита (3022)38-34-83
 Якутск (4112)23-90-97
 Ярославль (4852)69-52-93

Ver:3