

**COMEUP****Electric Grooved Winch****Model: CEP-2000-8/9/11/12/14/15MD**

P/N: 271879-8MD 271410-9MD 278430-11MD 271420-12MD 277336-14MD 271430-15MD 380V50Hz

**► Feature**

- Lifting Capacity 2,000 kg, double fall load
- Power Source 3 phase 50 Hz 380V
- Motor 3 hp x 4 p
- Drum Grooved
- Wire Rope 10 mm x 22 m for PN:271879.271410  
10 mm x 28 m for PN:278430.271420  
10 mm x 34 m for PN:277336.271430
- Lifting Height 8 m for PN:271879 · 9 m for PN:271410 · 11 m for PN:278430  
12 m for PN:271420 · 14 m for PN:277336 · 15 m for PN:271430
- Lifting Speed 5.1 m/min, double fall load
- Brake Electromagnetic spring-applied failsafe brake
- Control Pendant switch w/cord 2.0 mm<sup>2</sup> x 5C x 3 m

**► Read this manual carefully**

You should carefully read and understand this manual before operating it.  
Careless winch operation may result in personal injury hazards or property damage

**► Warning**

- The winch is not intended to be used in any manner for the movement or lifting of personnel.
- The lifting capacity shown is based on single fall rope on the drum.
- The rope winding on the drum shall remain 3 wraps from the drum.

Алматы (7273)495-231  
Ангарск (3955)60-70-56  
Архангельск (8182)63-90-72  
Астрахань (8512)99-46-04  
Барнаул (3852)73-04-60  
Белгород (4722)40-23-64  
Благовещенск (4162)22-76-07  
Брянск (4832)59-03-52  
Владивосток (423)249-28-31  
Владикавказ (8672)28-90-48  
Владимир (4822)49-43-18  
Волгоград (844)278-03-48  
Вологда (8172)26-41-59  
Воронеж (473)204-51-73  
Екатеринбург (343)384-55-89

Иваново (4932)77-34-06  
Ижевск (3412)26-03-58  
Иркутск (395)279-98-46  
Казань (843)206-01-48  
Калининград (4012)72-03-81  
Калуга (4842)92-23-67  
Камеоро (3842)65-04-62  
Киров (8332)68-02-04  
Коломна (4966)23-41-49  
Кострома (4942)77-07-48  
Краснодар (861)203-40-90  
Красноярск (391)204-63-61  
Курск (4712)77-13-04  
Курган (3522)50-90-47  
Липецк (4742)52-20-81  
Россия +7(495)268-04-70

Магнитогорск (3519)55-03-13  
Москва (495)268-04-70  
Мурманск (8152)59-64-93  
Набережные Челны (8552)20-53-41  
Нижний Новгород (831)429-08-12  
Новокузнецк (3843)20-46-81  
Новосибирск (383)227-86-73  
Омск (3812)21-46-40  
Орел (4862)44-53-42  
Оренбург (3532)37-68-04  
Пенза (8412)22-31-16  
Петрозаводск (8142)55-98-37  
Псков (8112)59-10-37  
Пермь (342)205-81-47  
Казахстан +7(7172)727-132

Ростов-на-Дону (863)308-18-15  
Рязань (4912)46-61-64  
Самара (846)206-03-16  
Санкт-Петербург (812)309-46-40  
Саратов (845)249-38-78  
Севастополь (8692)22-31-93  
Саранск (8342)22-96-24  
Симферополь (3652)67-13-56  
Смоленск (4812)29-41-54  
Сочи (862)225-72-31  
Ставрополь (8652)20-65-13  
Сургут (3462)77-93-95  
Сыктывкар (8212)25-95-17  
Тамбов (4752)50-40-97  
Тверь (4822)63-31-35  
Киргизия +996(312)96-26-47

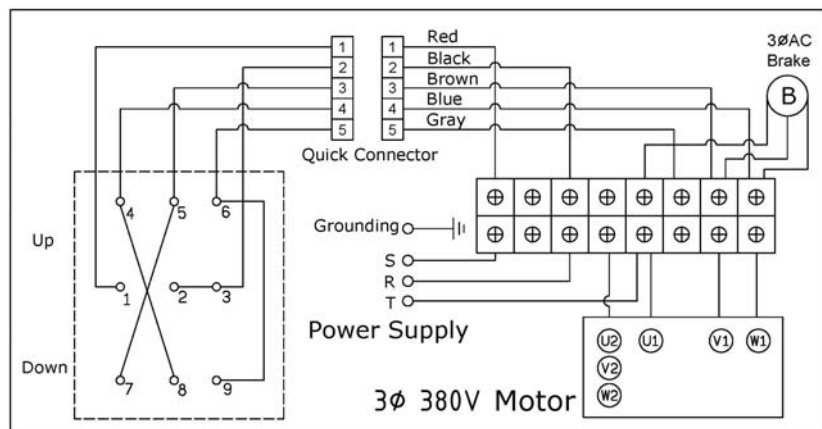
Тольятти (8482)63-91-07  
Томск (3822)98-41-53  
Тула (4872)33-79-87  
Тюмень (3452)66-21-18  
Ульяновск (8422)24-23-59  
Улан-Удэ (3012)59-97-51  
Уфа (347)229-48-12  
Хабаровск (4212)92-98-04  
Чебоксары (8352)28-53-07  
Челябинск (351)202-03-61  
Череповец (8202)49-02-64  
Чита (3022)38-34-83  
Якутск (4112)23-90-97  
Ярославль (4852)69-52-93

**► Maintenance and Inspection**

Classification of checks				Checking Item	Checking Method	Checking Reference	
Daily	Periodical						
	One month	Three month	One year				
			☉	Marking	Label and the like	Visual	Existence of label
		☉		Installation	Winding-in direction of wire rope	Visual , measuring	Fleet angle θ=within 3.0 degree
		☉			Loosing and centre run-out foundation	Checking of installing bolts	Existence of abnormality
☉				Control	Working	Manual	Reasonable actuation
	☉				Condition of clamping of wiring	Decomposition checking	Confirming of accuracy of fastening condition
		☉			Wearing of contact point	Decomposition checking	To be free from remarkable wearing and damage
		☉			Outer damage of lead	Visual	To be free from exposure of conductive wire
☉	☉				Attaching condition of earth line	Visual	Existence of abnormalities of connecting wires
		☉			Condition of insulation	Measure with 500v insulation-Resistance tester	1MΩ min
			☉	Motor	Condition of insulation	Measure with resistance tester	1MΩ min
			☉		Staining damage	Decomposition check	Existence of abnormalities
			☉	Brake	Braking gap	Measuring	Within 0.35 mm
		☉			Wearing of disc	Decomposition check	To be free from remarkable wear and damage
☉	☉				Performance	Visual	Distance to be not more than 1.5% of rope length to be wound-in during 1 minute
			☉	Gear	Damage , wearing	Decomposition check	To be free from remarkable wear and damage
		☉			Condition of grease feeding	Measuring	Existence of suitability of amount and deterioration with grease Mobilux EP2.Shell Unedo 2 or Esso Beacon EP2

<https://comeup.nt-rt.ru/> || [cpb@nt-rt.ru](mailto:cpb@nt-rt.ru)

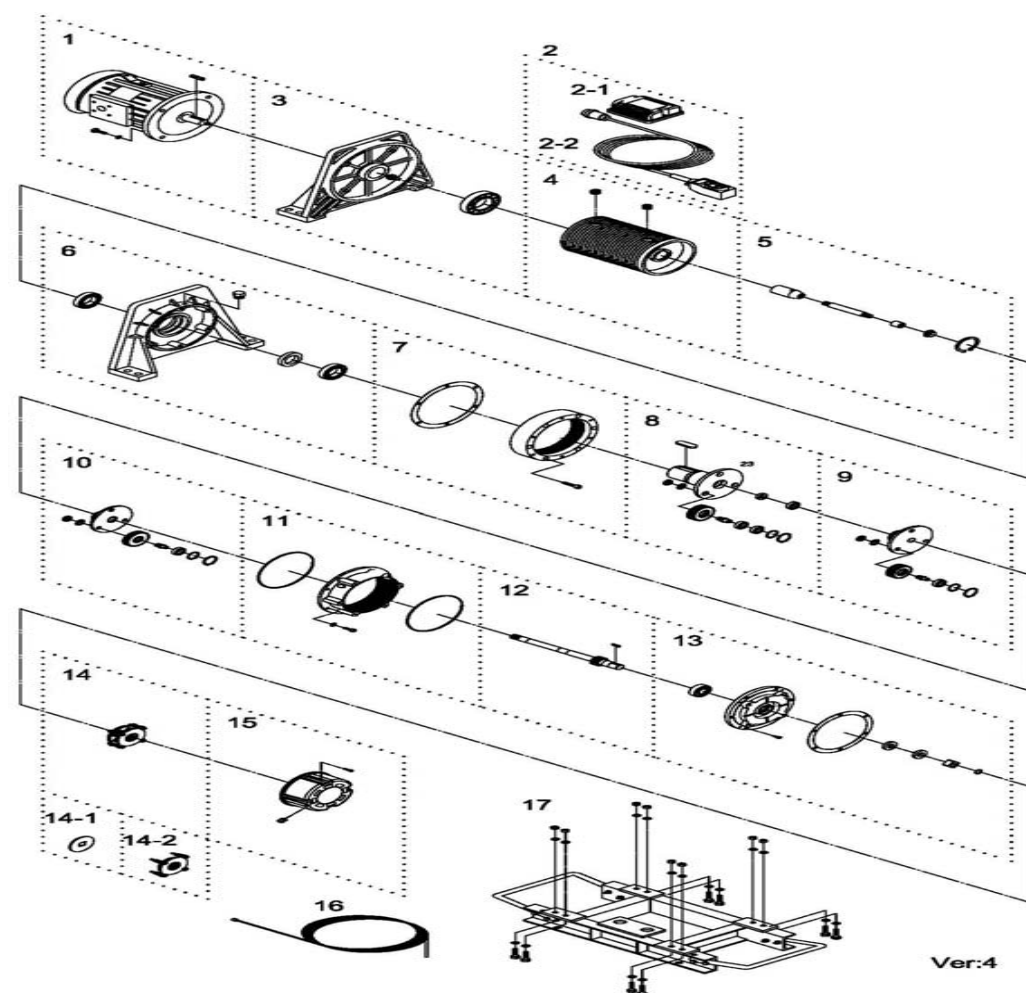
## ► Wiring Diagram



## Parts List

Item No.	Description	Part No.	Qty
1	Induction motor kit 380V	882576	1
2	Control kit	881999	1
2-1	Control box	880957	1
2-2	Remote control	881998	1
3	Motor support rack kit	882577	1
4	Drum kit for PN:271879,271410	882579	1
	Drum kit for PN:278430,271420	882580	
	Drum kit for PN:277336,271430	882581	
5	Connect shaft kit for PN:271879,271410	882583	1
	Connect shaft kit for PN:278430,271420	882584	
	Connect shaft kit for PN:277336,271430	882585	
6	Gearbox support rack kit	882586	1
7	3 <sup>rd</sup> ring gear kit	882587	1
8	3 <sup>rd</sup> stage carrier kit	882588	1
9	2 <sup>nd</sup> stage carrier kit	882589	1
10	1 <sup>st</sup> stage carrier kit	882590	1
11	Gear box kit	882591	1
12	1 <sup>st</sup> shaft kit	882592	1
13	Gearbox rear cover kit	882593	1
14	Brake kit AC 380V	882621	1
14-1	Brake disc	882225	1
14-2	Brake coil AC 380V	882631	1
15	Brake cover kit	882594	1
16	Wire rope for PN:271879,271410	882596	2
	Wire rope for PN:278430,271420	882597	
	Wire rope for PN:277336,271430	882598	
17	Base plate kit for PN:271879,271410	882600	1
	Base plate kit for PN:278430,271420	882601	
	Base plate kit for PN:277336,271430	882602	

## Winch Assembly



Алматы (7273)495-231	Иваново (4932)77-34-06	Магнитогорск (3519)55-03-13	Ростов-на-Дону (863)308-18-15	Тольятти (8482)63-91-07
Ангарск (3955)60-70-56	Ижевск (3412)26-03-58	Москва (495)268-04-70	Рязань (4912)46-61-64	Томск (3822)98-41-53
Архангельск (8182)63-90-72	Иркутск (395)279-98-46	Мурманск (8152)59-64-93	Самара (846)206-03-16	Тула (4872)33-79-87
Астрахань (8512)99-46-04	Казань (843)206-01-48	Набережные Челны (8552)20-53-41	Санкт-Петербург (812)309-46-40	Тюмень (3452)66-21-18
Барнаул (3852)73-04-60	Калининград (4012)72-03-81	Нижний Новгород (831)429-08-12	Саратов (845)249-38-78	Ульяновск (8422)24-23-59
Белгород (4722)40-23-64	Калуга (4842)92-23-67	Новокузнецк (3843)20-46-81	Севастополь (8692)22-31-93	Улан-Удэ (3012)59-97-51
Благовещенск (4162)22-76-07	Кемерово (3842)65-04-62	Ноябрьск (3496)41-32-12	Саранск (8342)22-96-24	Уфа (347)229-48-12
Брянск (4832)59-03-52	Киров (8332)68-02-04	Новосибирск (383)227-86-73	Симферополь (3652)67-13-56	Хабаровск (4212)92-98-04
Владивосток (423)249-28-31	Колыма (4966)23-41-49	Омск (3812)21-46-40	Смоленск (4812)29-41-54	Чебоксары (8352)28-53-07
Владикавказ (8672)28-90-48	Кострома (4942)77-07-48	Орел (4862)44-53-42	Сочи (862)225-72-31	Челябинск (351)202-03-61
Владимир (4922)49-43-18	Краснодар (861)203-40-90	Оренбург (3532)37-68-04	Ставрополь (8652)20-65-13	Череповец (8202)49-02-64
Волгоград (844)278-03-48	Красноярск (391)204-63-61	Пенза (8412)22-31-16	Сургут (3462)77-98-35	Чита (3022)38-34-83
Вологда (8172)26-41-59	Курск (4712)77-13-04	Петрозаводск (8142)55-98-37	Сыктывкар (8212)25-95-17	Якутск (4112)23-90-97
Воронеж (473)204-51-73	Курган (3522)50-90-47	Псков (8112)59-10-37	Тамбов (4752)50-40-97	Ярославль (4852)69-52-93
Екатеринбург (343)384-55-89	Липецк (4742)52-20-81	Пермь (342)205-81-47	Тверь (4822)63-31-35	
	Россия +7(495)268-04-70	Казхстан +7(7172)727-132	Киргизия +996(312)96-26-47	

<https://comeup.nt-rt.ru/> || [cpb@nt-rt.ru](mailto:cpb@nt-rt.ru)