



Heavy Duty Hoist

Model: *DH-500*

PN: 752805 12V DC
752850 12V DC

Introduction

► Feature

- Lifting capacity: 500 kg / 1,102 lb wire rope top layer
- Lifting height: 12 m
- Lifting speed: 3 M/min
- Motor output: 300 W x 50 A at DC12V
- Brake: Mechanical ratchet pawl provides instant and failsafe brake
- Control: Handheld pendant switch powers the hoist

► Unpacking

- Hoist assembly..... 1 pc
- Control ass'y 1 pc
- Pendant switch CPB-161 w/cord 0.75 mm x 3C x 4.4 m..... 1 pc
- Wire rope 6.35 mm x 12 m.....1 pc
- Weight hook CHW-0005..... 1 pc

► Read this manual carefully

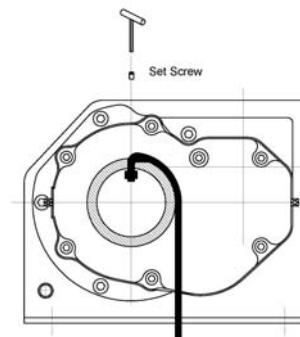
You should carefully read and understand this manual before operating it. Careless hoist operation may result in personal injury hazards or property damage.

Installation

Before using the hoist, make sure all electrical components have no corrosion or damaged; the environment should be clear and dry.

► Wire Rope Replacement

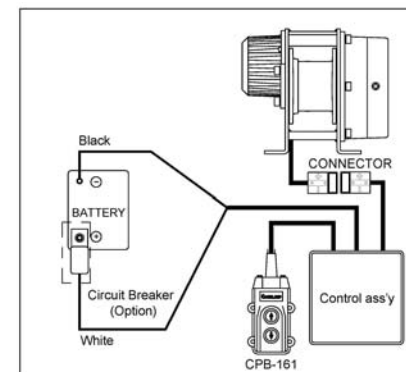
- Feed the end of the wire rope into hole on the drum and lock it with a set screw securely.
- Make sure the first layer of wire rope is tight and maintain a freeboard at least 1.5 x rope diameter.
- Wire rope shall be wound in an under-wound orientation only.
- To compensate for uneven spooling and the decrease in line lifting capacity as the drum fills up, use as short a wire rope as practical.



► Wiring Diagram

Attach the black lead firmly to the negative (-) battery terminal and white lead to the positive (+) battery terminal. The voltage drop for the hoist motor must not exceed 10% of the nominal voltage of 12V DC.

- Recommended battery: 650 CCA minimum for hoisting



Performance Date

Layer	Lifting Load kg	Line Speed mpm
1 st	619	2.4
2 nd	553	2.7
3 rd	500	3.0
	At no load	5.0

Алматы (7273)495-231
Ангарск (3955)60-70-56
Архангельск (8162)63-90-72
Астрахань (8512)99-46-04
Барнаул (3852)73-04-60
Белгород (4722)40-23-64
Благовещенск (4162)22-76-07
Брянск (4832)59-03-52
Владивосток (423)249-28-31
Владикавказ (8672)28-90-48
Владимир (4922)49-43-18
Волгоград (844)278-03-48
Вологда (8172)26-41-59
Воронеж (473)204-51-73
Екатеринбург (343)384-55-89

Иваново (4932)77-34-06
Ижевск (3412)26-03-58
Иркутск (395)279-98-46
Казань (843)206-01-48
Калининград (4012)72-03-81
Калуга (4842)92-23-67
Кемерово (3842)65-04-62
Киров (8332)68-02-04
Коломна (4966)23-41-49
Кострома (4942)77-07-48
Краснодар (861)203-40-90
Красноярск (391)204-63-61
Курск (4712)77-13-04
Курган (3522)50-90-47
Липецк (4742)52-20-81

Россия +7(495)268-04-70

Магнитогорск (3519)55-03-13
Москва (495)268-04-70
Мурманск (8152)59-64-93
Набережные Челны (8552)20-53-41
Новгород (831)429-08-12
Новокузнецк (3843)20-46-81
Новыйорск (3496)41-32-12
Новосибирск (383)227-86-73
Омск (3812)21-46-40
Орел (4862)44-53-42
Оренбург (3532)37-68-04
Пенза (8412)22-31-16
Петрозаводск (8142)55-98-37
Псков (8112)59-10-37
Пермь (342)205-81-47

Казахстан +7(7172)727-132

Ростов-на-Дону (863)308-18-15
Рязань (4912)46-61-64
Самара (846)206-03-16
Санкт-Петербург (812)309-46-40
Саратов (845)249-38-78
Севастополь (8692)22-31-93
Саранск (8342)22-96-24
Симферополь (3652)67-13-56
Смоленск (4812)29-41-54
Сочи (862)225-72-31
Ставрополь (8652)20-65-13
Сургут (3462)77-98-35
Сыктывкар (8212)25-95-17
Тамбов (4752)50-40-97
Тверь (4822)63-31-35

Киргизия +996(312)96-26-47

Тольятти (8482)63-91-07
Томск (3822)98-41-53
Тула (4872)33-79-87
Тюмень (3452)66-21-18
Ульяновск (8422)24-23-59
Улан-Удэ (3012)59-97-51
Уфа (347)229-48-12
Хабаровск (4212)92-98-04
Чебоксары (8352)28-53-07
Челябинск (351)202-03-61
Череповец (8202)49-02-64
Чита (3022)38-34-83
Якутск (4112)23-90-97
Ярославль (4852)69-52-93

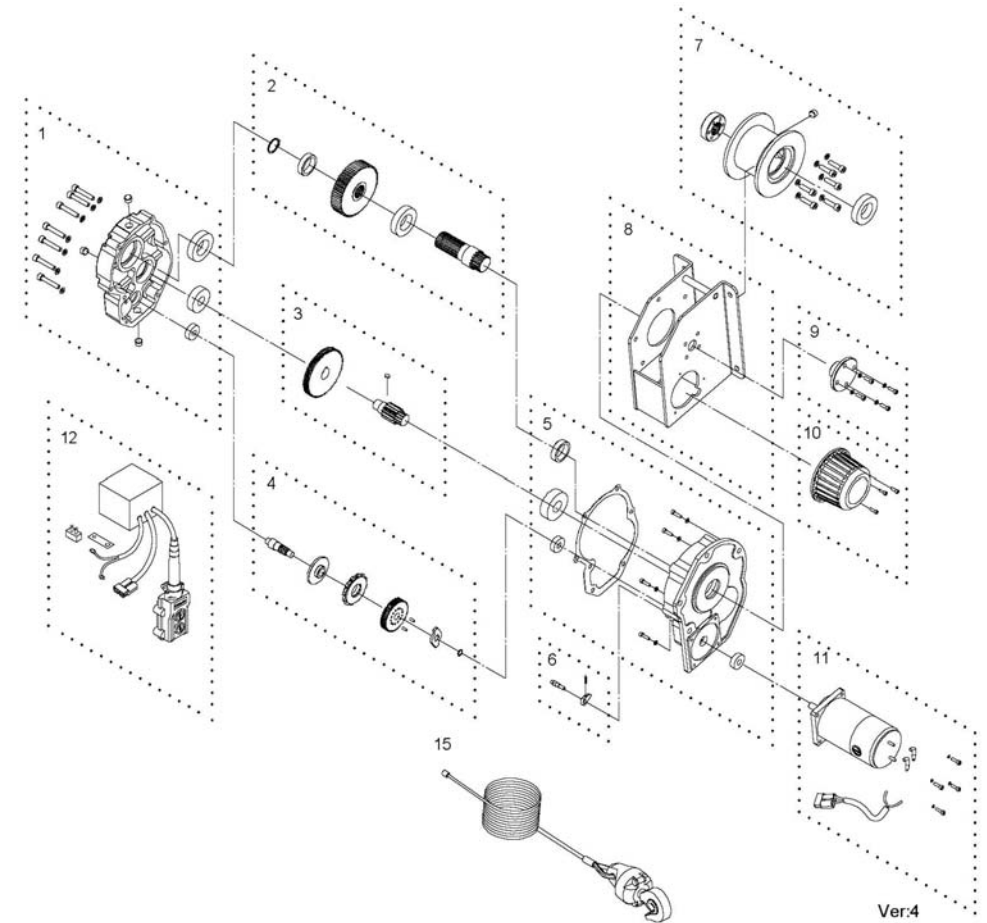
Warning

- The operator shall always work in compliance with the operating instructions.
- Overload shall be forbidden and overload protection shall be required.
- Ban on transporting persons and excessive inching shall be avoided.
- Don't try to move obstructed loads and side-pull of load is not allowed
- The rope winding on the drum shall remain 5 wraps from the drum.

Parts List

Item No.	Description	Part No.	Qty
1	Gearbox rear cover kit	881886	1
2	3 rd gear kit	881887	1
3	2 nd gear kit	881888	1
4	1 st gear kit	881889	1
5	Gearbox support rack kit	881890	1
6	Ratchet kit	881891	1
7	Drum kit	881892	1
8	Frame kit	881893	1
9	Drum supporter	881895	1
10	Brake cover	881896	1
11	Motor kit 12V	881897	1
12	Control ass'y	881899	1
15	Wire rope w/hook CHW-0005	882538	1

Hoist Assembly





Heavy Duty Hoist Model: *DH-500A*

PN: 752939 24V DC
752944 24V DC

Introduction

► Feature

- Lifting capacity: 500 kg / 1,102 lb wire rope top layer
- Lifting height: 12 m
- Lifting speed: 4 M/min
- Motor output: 300 W x 30 A at DC24V
- Brake: Mechanical ratchet pawl provides instant and failsafe brake
- Control: Handheld pendant switch powers the hoist

► Unpacking

- Hoist assembly..... 1 pc
- Control ass'y 1 pc
- Pendant switch CPB-161 w/cord 0.75 mm x 3C x 4.4 m..... 1 pc
- Wire rope 6.35 mm x 12 m.....1 pc
- Weight hook CHW-0005..... 1 pc

► Read this manual carefully

You should carefully read and understand this manual before operating it. Careless hoist operation may result in personal injury hazards or property damage.

► Information requesting or parts ordering

Please specify the following information:

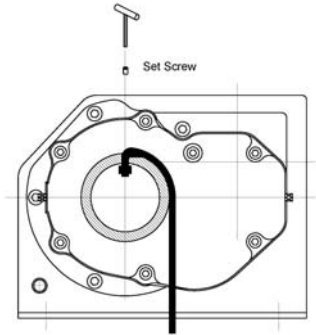
- Hoist PN
- Serial number
- Quantity for each part
- Part description
- Replacement part number

Installation

Before using the hoist, make sure all electrical components have no corrosion or damaged; the environment should be clear and dry.

► Wire Rope Replacement

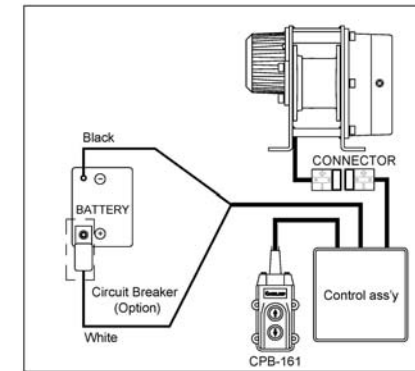
- Feed the end of the wire rope into hole on the drum and lock it with a set screw securely.
- Make sure the first layer of wire rope is tight and maintain a freeboard at least 1.5 x rope diameter.
- Wire rope shall be wound in an under-wound orientation only.
- To compensate for uneven spooling and the decrease in line lifting capacity as the drum fills up, use as short a wire rope as practical.



► Wiring Diagram

Attach the black lead firmly to the negative (-) battery terminal and white lead to the positive (+) battery terminal. The voltage drop for the hoist motor must not exceed 10% of the nominal voltage of 24V DC.

- Recommended battery: 650 CCA minimum for hoisting



Performance Date

Layer	Lifting Load kg	Line Speed mpm
1 st	619	3.4
2 nd	553	3.7
3 rd	500	4.0
	At no load	6.5

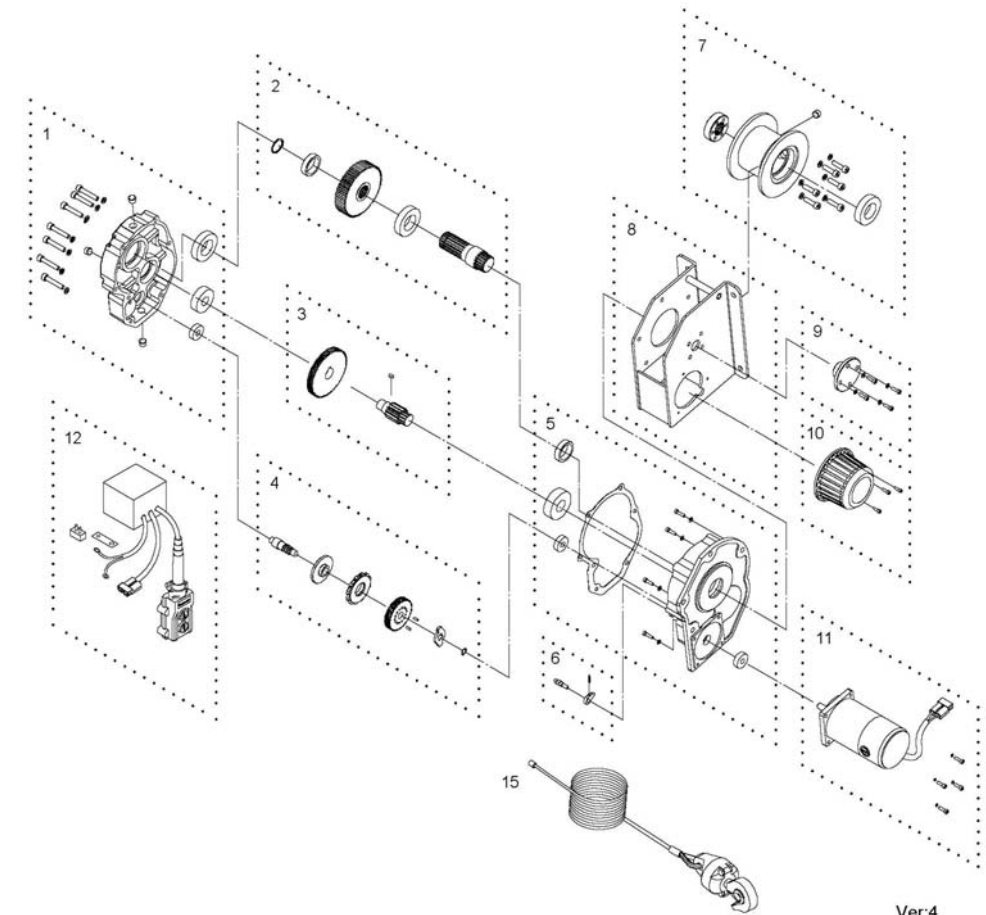
Warning

- The operator shall always work in compliance with the operating instructions.
- Overload shall be forbidden and overload protection shall be required.
- Ban on transporting persons and excessive inching shall be avoided.
- Don't try to move obstructed loads and side-pull of load is not allowed
- The rope winding on the drum shall remain 5 wraps from the drum.

Parts List

Item No.	Description	Part No.	Qty
1	Gearbox rear cover kit	881886	1
2	3 rd gear kit	881887	1
3	2 nd gear kit	881888	1
4	1 st gear kit	881889	1
5	Gearbox support rack kit	881890	1
6	Ratchet kit	881891	1
7	Drum kit	881892	1
8	Frame kit	881893	1
9	Drum supporter	881895	1
10	Brake cover	881896	1
11	Motor kit 24V	881898	1
12	Control ass'y	881900	1
15	Wire rope w/hook CHW-0005	882538	1

Hoist Assembly



Ver:4

Алматы (7273)495-231
 Ангарск (3955)60-70-56
 Архангельск (8182)63-90-72
 Астрахань (8512)99-46-04
 Барнаул (3852)73-04-60
 Белгород (4722)40-23-64
 Благовещенск (4162)22-76-07
 Брянск (4832)59-03-52
 Владивосток (423)249-28-31
 Владикавказ (8672)28-90-48
 Владимир (4922)49-43-18
 Волгоград (844)278-03-48
 Вологда (8172)26-41-59
 Воронеж (473)204-51-73
 Екатеринбург (343)384-55-89

Иваново (4932)77-34-06
 Ижевск (3412)26-03-58
 Иркутск (395)279-98-46
 Казань (843)206-01-48
 Калининград (4012)72-03-81
 Кемерово (3842)65-04-62
 Калуга (4842)92-23-67
 Коломна (4966)23-41-49
 Киров (8332)68-02-04
 Кострома (4942)77-07-48
 Краснодар (861)203-40-90
 Красноярск (391)204-63-61
 Курск (4712)77-13-04
 Курган (3522)50-90-47
 Липецк (4742)52-20-81

Россия +7(495)268-04-70

Магнитогорск (3519)55-03-13
 Москва (495)268-04-70
 Мурманск (8152)59-64-93
 Набережные Челны (8552)20-53-41
 Нижний Новгород (831)429-08-12
 Новокузнецк (3843)20-46-81
 Ноябрьск (3496)41-32-12
 Новосибирск (383)227-86-73
 Омск (3812)21-46-40
 Орел (4862)44-53-42
 Оренбург (3532)37-68-04
 Пенза (8412)22-31-16
 Петрозаводск (8142)55-98-37
 Псков (8112)59-10-37
 Пермь (342)205-81-47

Казахстан +7(7172)727-132

Ростов-на-Дону (863)308-18-15
 Рязань (4912)46-61-64
 Самара (846)206-03-16
 Санкт-Петербург (812)309-46-40
 Саратов (845)249-38-78
 Севастополь (8692)22-31-93
 Саранск (8342)22-96-24
 Симферополь (3652)67-13-56
 Смоленск (4812)29-41-54
 Сочи (862)225-72-31
 Ставрополь (8652)20-65-13
 Сургут (3462)77-98-35
 Сыктывкар (8212)25-95-17
 Тамбов (4752)50-40-97
 Тверь (4822)63-31-35

Киргизия +996(312)96-26-47

Тольятти (8482)63-91-07
 Томск (3822)98-41-53
 Тула (4872)33-79-87
 Тюмень (3452)66-21-18
 Ульяновск (8422)24-23-59
 Улан-Уда (3012)59-97-51
 Уфа (347)229-48-12
 Хабаровск (4212)92-98-04
 Чебоксары (8352)28-53-07
 Челябинск (351)202-03-61
 Череповец (8202)49-02-64
 Чита (3022)38-34-83
 Якутск (4112)23-90-97
 Ярославль (4852)69-52-93

<https://comeup.nt-rt.ru/> || cpb@nt-rt.ru