

OMR-160 150 bar PN: 683543 Std. drum 683512 Long drum	OMP-160 175 bar PN: 683030 Std. Drum 683036 Std. drum 683352 Long drum
--	---

Introduction

► Feature

- Line pull (1st layer): 13,600 kg / 30,000 lb (SAE J706 rating)
- Line speed (1st layer): 5.0 mpm (16 fpm) at 60 l / min (15.9 g / min)
- Operation pressure: 150 bar (2,175 psi)
175 bar (2,540 psi)
- Brake: Multi-disc brake and counterbalance valve providing full 100% braking
- Clutch (freespooling) : Air clutch for rapid wire rope payout
- Recommended wire rope: 16 mm (5/8") x 43 m (141') for Std. drum,
16 mm (5/8") x 75 m (246') for Long drum,
1,960 N/mm² grade a minimum breaking strength of 179 KN required
- Hydraulic system: PTO/power take off unit driven pump

► Unpacking

- Winch assembly..... 1pc
- Roller fairlead..... 1pc
- Counterbalance valve..... 1pc
- Cable tensioner..... 1pc

► Read this manual carefully

You should carefully read and understand this manual before operating it. Careless winch operation may result in personal injury hazards or property damage.

Алматы (7273)495-231
Ангарск (3955)60-70-56
Архангельск (8182)63-90-72
Астрахань (8512)99-46-04
Барнаул (3852)73-04-60
Белгород (4722)40-23-64
Благовещенск (4162)22-76-07
Брянск (4832)59-03-52
Владивосток (423)249-28-31
Владикавказ (8672)28-90-48
Владимир (4922)49-43-18
Волгоград (844)278-03-48
Вологда (8172)26-41-59
Воронеж (473)204-51-73
Екатеринбург (343)384-55-89

Иваново (4932)77-34-06
Ижевск (3412)26-03-58
Иркутск (395)279-98-46
Казань (843)206-01-48
Калининград (4012)72-03-81
Калуга (4842)92-23-67
Кемерово (3842)65-04-62
Киров (8332)68-02-04
Коломна (4966)23-41-49
Кострома (4942)77-07-48
Краснодар (861)203-40-90
Красноярск (391)204-63-81
Курск (4712)77-13-04
Курган (3522)50-90-47
Липецк (4742)52-20-81

Магнитогорск (3519)55-03-13
Москва (495)268-04-70
Мурманск (8152)59-64-93
Набережные Челны (8552)20-53-41
Нижний Новгород (831)429-08-12
Новокузнецк (3843)20-46-81
Ноябрьск (3496)41-32-12
Новосибирск (383)227-86-73
Омск (3812)21-46-40
Орел (4862)44-53-42
Оренбург (3532)37-68-04
Пенза (8412)22-31-16
Петрозаводск (8142)55-98-37
Псков (8112)59-10-37
Пермь (342)205-81-47

Ростов-на-Дону (863)308-18-15
Рязань (4912)46-61-64
Самара (846)206-03-16
Санкт-Петербург (812)309-46-40
Саратов (845)249-38-78
Севастополь (8692)22-31-93
Саранск (8342)22-96-24
Симферополь (3652)67-13-56
Смоленск (4812)29-41-54
Сочи (862)225-72-31
Ставрополь (8652)20-65-13
Сургут (3462)77-98-35
Сыктывкар (8212)25-95-17
Тамбов (4752)50-40-97
Тверь (4822)63-31-35

Тольятти (8482)63-91-07
Томск (3822)98-41-53
Тула (4872)33-79-87
Тюмень (3452)66-21-18
Ульяновск (8422)24-23-59
Улан-Уда (3012)59-97-51
Уфа (347)229-48-12
Хабаровск (4212)92-98-04
Чебоксары (8352)28-53-07
Челябинск (351)202-03-61
Череповец (8202)49-02-64
Чита (3022)38-34-83
Якутск (4112)23-90-97
Ярославль (4852)69-52-93

Россия +7(495)268-04-70

Казахстан +7(7172)727-132

Киргизия +996(312)96-26-47

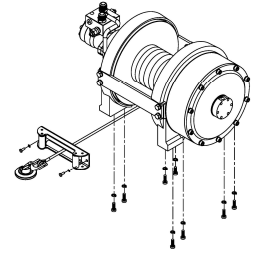
<https://comeup.nt-rt.ru/> || cpb@nt-rt.ru

Installation

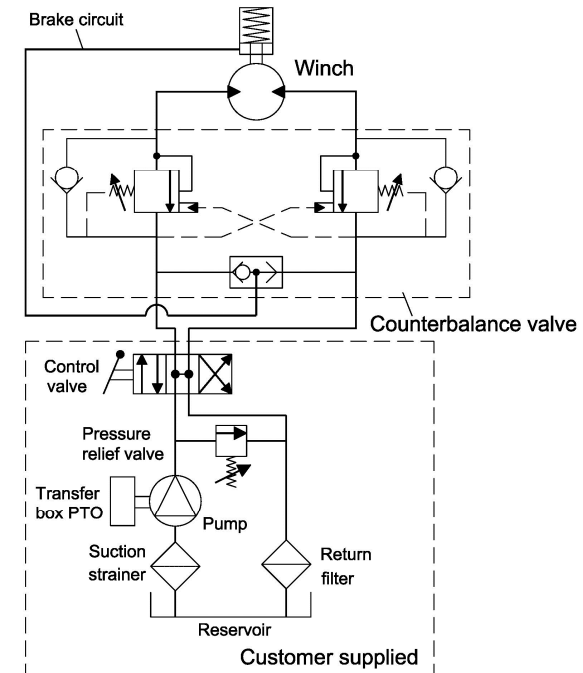
Before using the winch, make sure all components have no corrosion or damaged; the environment should be clear and dry.

► Mounting

- Winch shall be mounted on a flat and hard surface.
- Winch should be mounted as closed to center and as perpendicular as possible to the direction of the line pull.
- Wire rope shall be wound in an under-wound orientation only.
- Eight (8) M16 x 40, 12.9 grade high tensile steel bolts must be used in order to sustain the loads imposed on the winch.
- Two (2) M10 X 25, 12.9 grade high tensile steel bolts must be used to fasten the roller fairlead to the mounting channel.
- It is always preferred to use both tie bars in the final installed configuration.
- If there is a rope pileup on one end of the drum, reverse the winch to relieve the load and move your anchor point further to the center of the vehicle. Then you can rewind for a neat layer of the rope.



► Hydraulic System



(Powered by PTO / power take off unit driven pump)
The installation of the counterbalance valve supplied is required for 100% braking

Warning

- This winch shall only be used for vehicle recovery or for pulling and lowering boats off trailers.
- The rated line pull and speed are based on the first layer of rope on the drum.
- The rope winding on the drum shall remain 5 wraps from the drum.

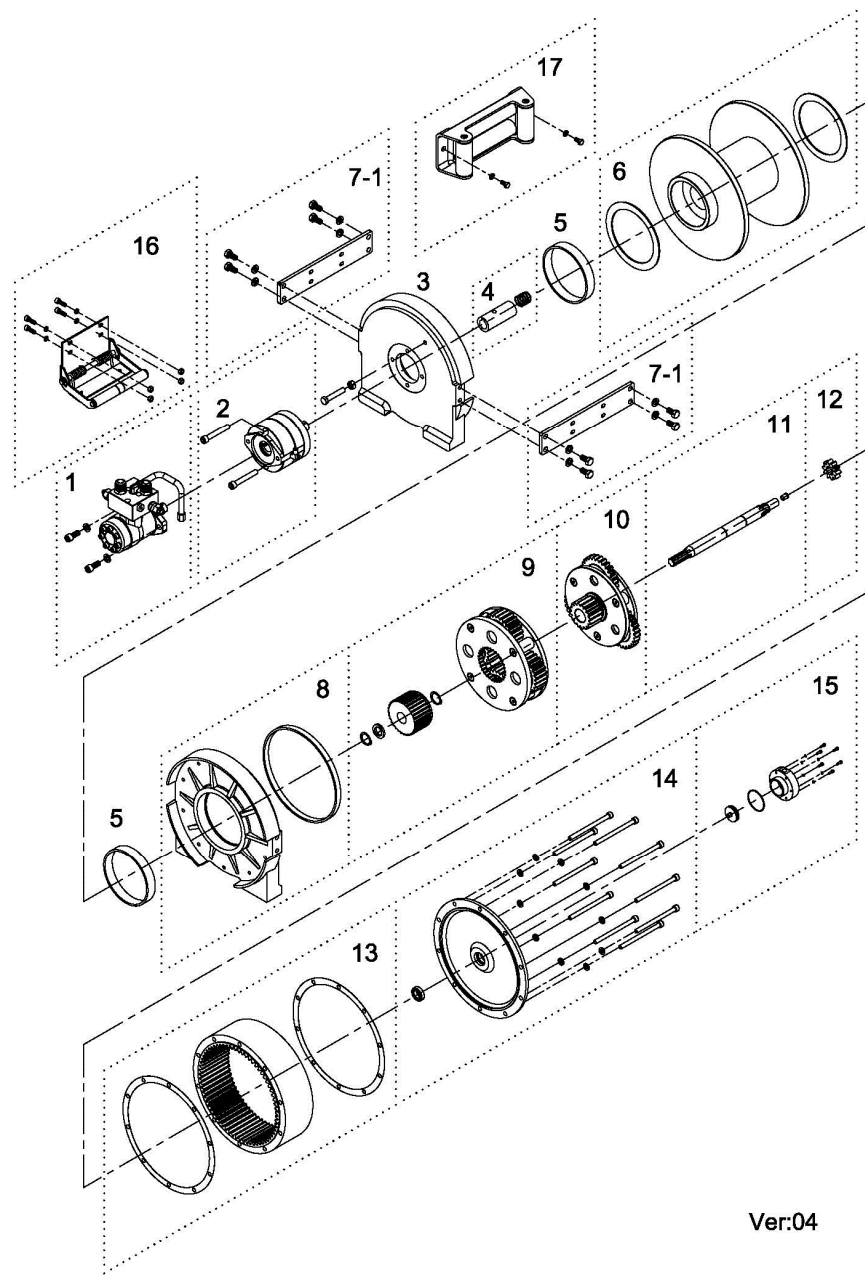
Warranty

Comeup Industries Inc. takes the responsibility for all parts and components to be free from defects in materials and workmanship appearing under normal use for one year from the date of purchase.

Parts List

Item No.	Description	Part No.	Qty
1	Hydraulic motor kit for OMR-160	882181	1
	Hydraulic motor kit for OMP-160	882186	
2	Multi-disc brake kit	881971	1
3	Motor support rack	881972	1
4	Motor coupling kit	881973	1
5	Drum bushing	880204	2
6	Drum kit, Std. drum	881974	1
	Drum kit, Long drum	882188	
7-1	Tie bar kit, Std. drum	881975	2
	Tie bar kit, Long drum	882189	
8	Gearbox support rack kit	881976	1
9	2 nd stage carrier	881977	1
10	1 st stage carrier	881978	1
11	1 st shaft kit, Std. drum	881979	1
	1 st shaft kit, Long drum	882191	
12	1 st gear	882052	1
13	1 st & 2 nd ring gear kit	881980	1
14	Gearbox rear cover kit	881981	1
15	Air inlet cover kit	881982	1
16	Cable tensioner, Std. drum	881983	1
	Cable tensioner, Long drum	882195	
17	Roller fairlead, Std. drum	880160	1
	Roller fairlead, Long drum	882238	

Winch Assembly



Алматы (7273)495-231
 Ангарск (3955)60-70-56
 Архангельск (8162)63-90-72
 Астрахань (8512)99-46-04
 Барнаул (3852)73-04-60
 Белгород (4722)40-23-64
 Благовещенск (4162)22-76-07
 Брянск (4832)59-03-52
 Владивосток (423)249-28-31
 Владикавказ (8672)28-90-48
 Владимир (4922)49-43-18
 Волгоград (844)278-03-48
 Вологда (8172)26-41-59
 Воронеж (473)204-51-73
 Екатеринбург (343)384-55-89

Иваново (4932)77-34-06
 Ижевск (3412)26-03-58
 Иркутск (395)279-98-46
 Казань (843)206-01-48
 Калининград (4012)72-03-81
 Калуга (4842)92-23-57
 Кемерово (3842)65-04-62
 Киров (8332)68-02-04
 Коломна (4966)23-41-49
 Кострома (4942)77-07-48
 Краснодар (861)203-40-90
 Красноярск (391)204-63-61
 Курск (4712)77-13-04
 Курган (3522)50-90-47
 Липецк (4742)52-20-81

Магнитогорск (3519)55-03-13
 Москва (495)268-04-70
 Мурманск (8152)59-64-93
 Набережные Челны (8552)20-53-41
 Нижний Новгород (831)429-08-12
 Новокузнецк (3843)20-46-81
 Ноябрьск (3498)41-32-12
 Новосибирск (383)227-86-73
 Омск (3812)21-46-40
 Орел (4862)44-53-42
 Оренбург (3532)37-68-04
 Пенза (8412)22-31-16
 Петропавловск (8142)55-98-37
 Псков (8112)59-10-37
 Пермь (342)205-81-47

Ростов-на-Дону (863)308-18-15
 Рязань (4912)46-61-64
 Самара (846)206-03-16
 Санкт-Петербург (812)309-46-40
 Саратов (845)249-38-78
 Севастополь (8692)22-31-93
 Саранск (8342)22-96-24
 Симферополь (3652)67-13-56
 Смоленск (4812)29-41-54
 Сочи (862)225-72-31
 Ставрополь (8652)20-65-13
 Сургут (3462)77-98-35
 Сыктывкар (8212)25-95-17
 Тамбов (4752)50-40-97
 Тверь (4822)63-31-35

Тольятти (8482)63-91-07
 Томск (3822)98-41-53
 Тула (4872)33-79-87
 Тюмень (3452)66-21-18
 Ульяновск (8422)24-23-59
 Улан-Удэ (3012)59-97-51
 Уфа (347)229-48-12
 Хабаровск (4212)62-98-04
 Чебоксары (8352)28-53-07
 Челябинск (351)202-03-61
 Череповец (8202)49-02-64
 Чита (3022)38-34-83
 Якутск (4112)23-90-97
 Ярославль (4852)69-52-93

Россия +7(495)268-04-70

Казахстан +7(7172)727-132

Киргизия +996(312)96-26-47

<https://comeup.nt-rt.ru/> || cpb@nt-rt.ru

Ver:04