

### Introduction

#### ► Feature

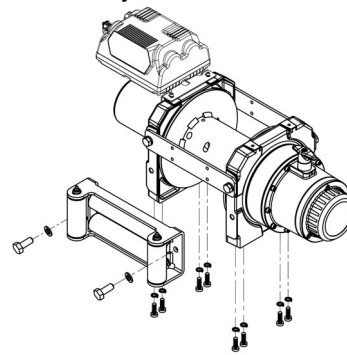
- Line pull: 5,440 kg / 12,000 lb single line ( SAE J706 rating)  
5,100 kg single line (EN 14492-1 rating)
- Brake: Automatic, full load cone brake
- Clutch: Turn the T-handle for rapid wire rope payout
- Control: Handheld pendant switch powers the winch
- Recommended \* 12 mm x 21.4 m, 1,960 N/mm<sup>2</sup> grade with a minimum breaking strength of 100.5 KN required for EN 14492-1 rating  
\* 1/2" x 100', EIPS grade with a minimum breaking strength of 22,552 lbf required for SAE J706 rating

### Installation

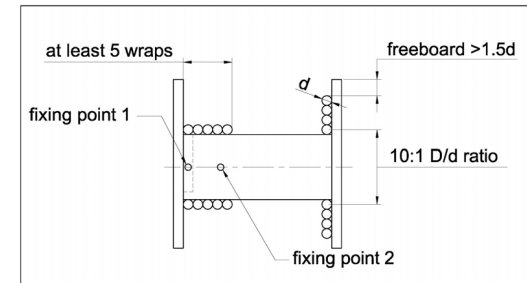
Before using the winch, make sure all electrical components have no corrosion or damaged; the environment should be clear and dry.

#### ► Mounting

- Winch shall be mounted on a flat and hard surface.
- Winch should be mounted as closed to center and as horizontal as possible to the direction of the line pull.
- Wire rope shall be wound in an under-wound orientation only.
- Eight (8) M12 X 1.75 pitch 8.8 grade w/76 N-m torque setting (maximum) high tensile steel bolts must be used in order to sustain the loads imposed on the winch mounting.
- Two (2) M12 x 1.75 pitch 8.8 grade w/76 N-m torque setting (maximum) high tensile steel bolts must be used for fastening the roller fairlead into the mounting channel.
- It is always preferred to use both tie bars in the final installed configuration.

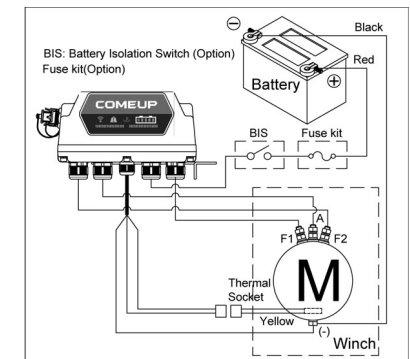
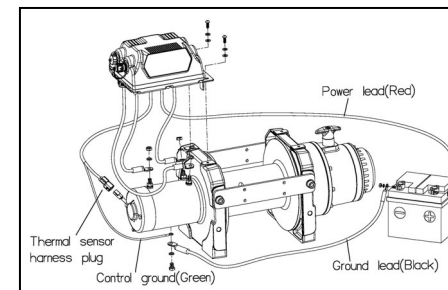


- Refer to the Instruction Manual to install winch for safe winching operation.
- Fit the recommended wire rope to comply with EN ratings:
  - \* Rope drives with steel wire rope shall be dimensioned
  - \* At least 2:1 wire rope working coefficient for the first rope layer.
  - \* At least 10:1 D/d ratio to the centre of the rope
  - \* Drum freeboard shall be at least 1.5 x rope diameter.
- The wire rope must be painted red for 1.6 m on both ends and at least five (5) wraps of wire rope remained around the drum to comply with EN ratings;
  - \* At least two rope windings on the drum.
  - \* Rope attachment to withstand 2.5 x the remaining static force.
- Fit an emergency stop switch to comply with emergency stop function.
- Fit a hook with a safety latch to comply with a safety hook.



#### ► Wiring Diagram

- Connect thermal sensor harness plug, control ground, and cable A/F1/F2 to the motor.
- Attach the ground lead firmly to the negative (-) battery terminal and power lead to the positive (+) battery terminal. The voltage drop for the winch motor must not exceed 10% of the nominal voltage of 12/24V DC.
- The over-load protector built in the control box shall be manually reset after reducing the load.
- Always cover the socket with waterproof cap when not in use to prevent ingress of water or foreign objects.**
- Installing ICB control box, it is necessary to install a fuse or battery isolation switch as additional protection.**



Алматы (7273)495-231  
Ангарск (3955)60-70-56  
Архангельск (8182)63-90-72  
Астрахань (8512)99-46-04  
Барнаул (3852)73-04-60  
Белгород (4722)40-23-64  
Благовещенск (4162)22-76-07  
Брянск (4832)59-03-52  
Владивосток (423)249-28-31  
Владикавказ (8672)28-90-48  
Владимир (4922)49-43-18  
Волгоград (844)278-03-48  
Вологда (8172)26-41-59  
Воронеж (473)204-51-73  
Екатеринбург (343)384-55-89

Иваново (4932)77-34-06  
Ижевск (3412)26-03-58  
Иркутск (395)279-98-46  
Казань (843)206-01-48  
Калининград (4012)72-03-81  
Калуга (4842)92-23-67  
Кемерово (3842)65-04-62  
Киров (8332)68-02-04  
Коломна (4966)23-41-49  
Кострома (4942)77-07-48  
Краснодар (861)203-40-90  
Красноярск (391)204-63-61  
Курск (4712)77-13-04  
Курган (3522)50-90-47  
Липецк (4742)52-20-81

Россия +7(495)268-04-70

Магнитогорск (3519)55-03-13  
Москва (495)268-04-70  
Мурманск (8152)59-64-93  
Набережные Челны (8552)20-53-41  
Нижний Новгород (831)429-08-12  
Новокузнецк (3843)20-46-81  
Новоярск (3496)41-32-12  
Новосибирск (383)227-86-73  
Омск (3812)21-46-40  
Орел (4862)44-53-42  
Оренбург (3532)37-68-04  
Пенза (8412)22-31-16  
Петрозаводск (8142)55-98-37  
Псков (8112)59-10-37  
Пермь (342)205-81-47

Казахстан +7(7172)727-132

Ростов-на-Дону (863)308-18-15  
Рязань (4912)46-61-64  
Москва (495)268-04-70  
Самара (846)206-03-16  
Санкт-Петербург (812)309-46-40  
Саратов (845)249-38-78  
Севастополь (8692)22-31-93  
Саранск (8342)22-96-24  
Симферополь (3652)67-13-56  
Смоленск (4812)29-41-54  
Сочи (862)225-72-31  
Ставрополь (8652)20-65-13  
Сургут (3462)77-98-35  
Сыктывкар (8212)25-95-17  
Тамбов (4752)50-40-97  
Тверь (4822)63-31-35

Киргизия +996(312)96-26-47

Тольятти (8482)63-91-07  
Томск (3822)98-41-53  
Тула (4872)33-79-87  
Тюмень (3452)66-21-18  
Ульяновск (8422)24-23-59  
Улан-Удэ (3012)59-97-51  
Уфа (347)229-48-12  
Хабаровск (4212)92-98-04  
Чебоксары (8352)28-53-07  
Челябинск (351)202-03-61  
Черновцов (8202)49-02-64  
Чита (3022)38-34-83  
Чукотск (4112)23-90-97  
Ярославль (4852)69-52-93

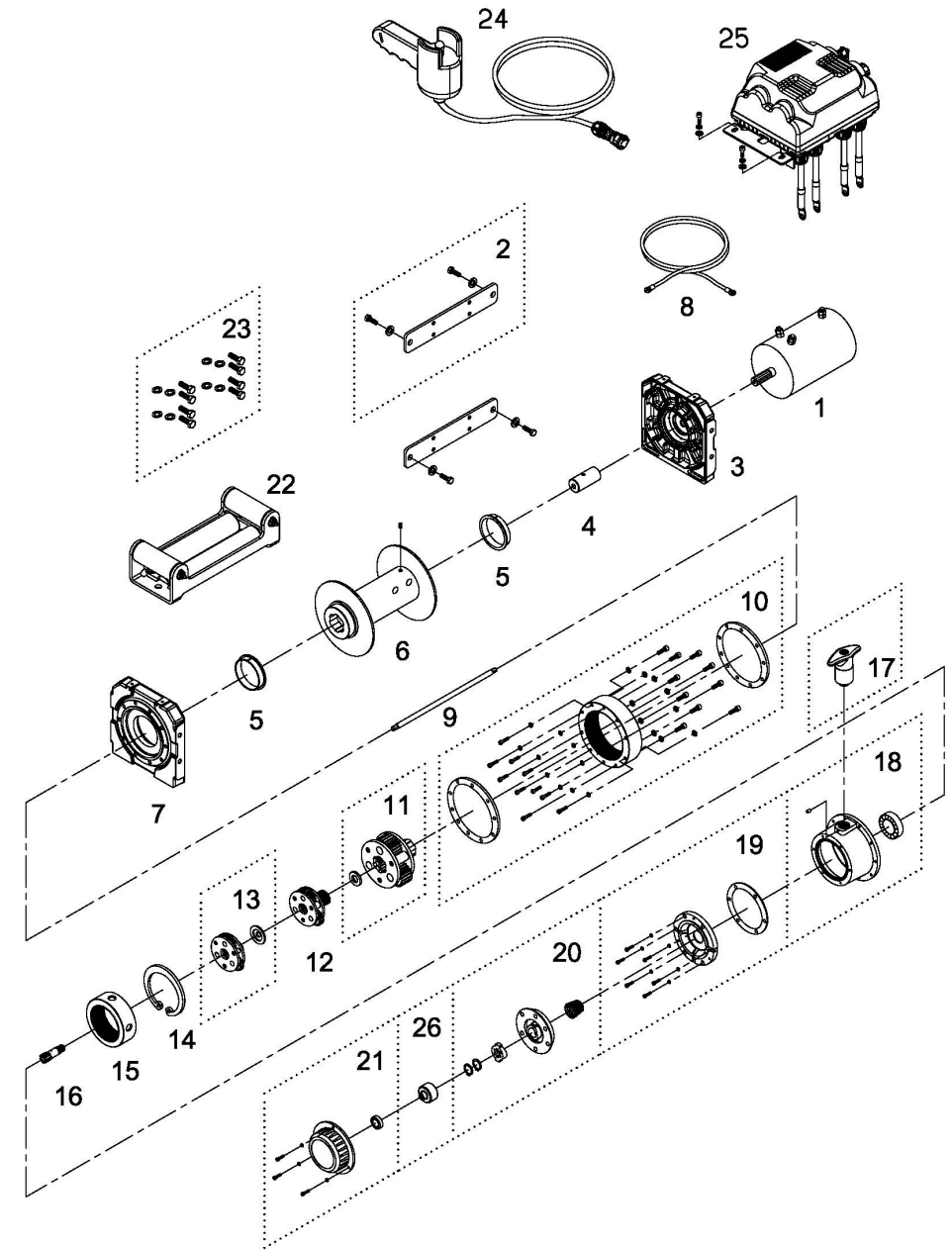
## Warning

- The winch is not intended to be used in any manner for the movement or lifting of personnel.
- The rated line pull shown is based on the first layer of rope on the drum for the winch only, consult the wire rope manufacturer for wire rope rating.
- The rope winding on the drum shall remain 5 wraps from the drum.

## Parts List

Item No.	Description	Part No.	Qty
1	Motor 12V	882439	1
	Motor 24V	882440	
2	Tie bar kit	881583	2
3	Motor support rack kit	881595	1
4	Motor coupling	880047	1
5	Drum bushing	880048	2
6	Drum kit	881596	1
7	Gearbox support rack	881597	1
8	Grounding lead	880009	1
9	1 <sup>st</sup> shaft	880053	1
10	3 <sup>rd</sup> ring gear kit	882436	1
11	3 <sup>rd</sup> stage carrier kit	881944	1
12	2 <sup>nd</sup> stage carrier kit	881943	1
13	1 <sup>st</sup> stage carrier kit	880107	1
14	C ring	880058	1
15	1 <sup>st</sup> & 2 <sup>nd</sup> ring gear	880059	1
16	1 <sup>st</sup> pinion kit	880060	1
17	Clutch kit	880061	1
18	Gear box kit	882437	1
19	Brake base	882438	1
20	Cone brake disc kit	880021	1
21	Brake cover kit	882423	1
22	Roller fairlead	882481	1
23	Mounting hardware	881598	1
24	Remote control	883509	1
25	Control box 12V	883406	1
	Control box 24V	883521	
26	Brake clutch base	881434	1

## Winch Assembly



2023/06/16 Ver:03

Алматы (7273)495-231  
 Ангарск (3955)60-70-56  
 Архангельск (8182)63-90-72  
 Астрахань (8512)99-46-04  
 Барнаул (3852)73-04-60  
 Белгород (4722)40-23-64  
 Белгородский (4162)22-76-07  
 Брянск (4832)59-03-52  
 Владивосток (423)249-28-31  
 Владикавказ (8672)28-90-48  
 Владимир (4922)49-43-18  
 Волгоград (844)278-03-48  
 Вологда (8172)26-41-59  
 Воронеж (473)204-51-73  
 Екатеринбург (343)384-55-89

Иваново (4932)77-34-06  
 Ижевск (3412)26-03-58  
 Иркутск (395)279-98-46  
 Казань (843)206-01-48  
 Калининград (4012)72-03-81  
 Калуга (484)292-23-67  
 Кемерово (3842)65-04-62  
 Киров (8332)68-02-04  
 Коломна (4966)23-41-49  
 Кострома (4942)77-07-48  
 Краснодар (861)203-40-90  
 Красноярск (391)204-63-61  
 Курск (4712)77-13-04  
 Курган (3522)50-90-47  
 Липецк (4742)52-20-81

Магнитогорск (3519)55-03-13  
 Москва (495)268-04-70  
 Мурманск (8152)59-64-93  
 Набережные Челны (8552)20-53-41  
 Нижний Новгород (831)429-08-12  
 Новокузнецк (3843)20-46-81  
 Ноябрьск (3496)41-32-12  
 Новосибирск (383)227-86-73  
 Омск (3812)21-46-40  
 Орел (4862)44-53-42  
 Оренбург (3532)37-68-04  
 Пенза (8412)22-31-16  
 Красноярск (391)204-63-61  
 Петрозаводск (8142)55-98-37  
 Псков (8112)59-10-37  
 Пермь (342)205-81-47

Ростов-на-Дону (863)308-18-15  
 Рязань (4912)46-61-64  
 Самара (846)206-03-16  
 Санкт-Петербург (812)309-46-40  
 Саратов (845)249-38-78  
 Севастополь (8692)22-31-93  
 Саранск (8342)22-96-24  
 Симферополь (3652)67-13-56  
 Смоленск (4812)29-41-54  
 Сочи (862)225-72-31  
 Ставрополь (8652)20-65-13  
 Сургут (3462)77-98-35  
 Сыктывкар (8212)25-95-17  
 Тамбов (4752)50-40-97  
 Тверь (4822)63-31-35

Тольятти (8482)63-91-07  
 Томск (3822)98-41-53  
 Тула (4872)33-79-87  
 Тюмень (3452)66-21-18  
 Ульяновск (8422)24-23-59  
 Улан-Удэ (3012)59-97-51  
 Уфа (347)229-48-12  
 Хабаровск (4212)92-98-04  
 Чебоксары (8352)28-53-07  
 Челябинск (351)202-03-61  
 Череповец (8202)49-02-64  
 Чита (3022)38-34-83  
 Якутск (4112)23-90-97  
 Ярославль (4852)69-52-93

Россия +7(495)268-04-70

Казахстан +7(7172)727-132

Киргизия +996(312)96-26-47

<https://comeup.nt-rt.ru/> || [cpb@nt-rt.ru](mailto:cpb@nt-rt.ru)